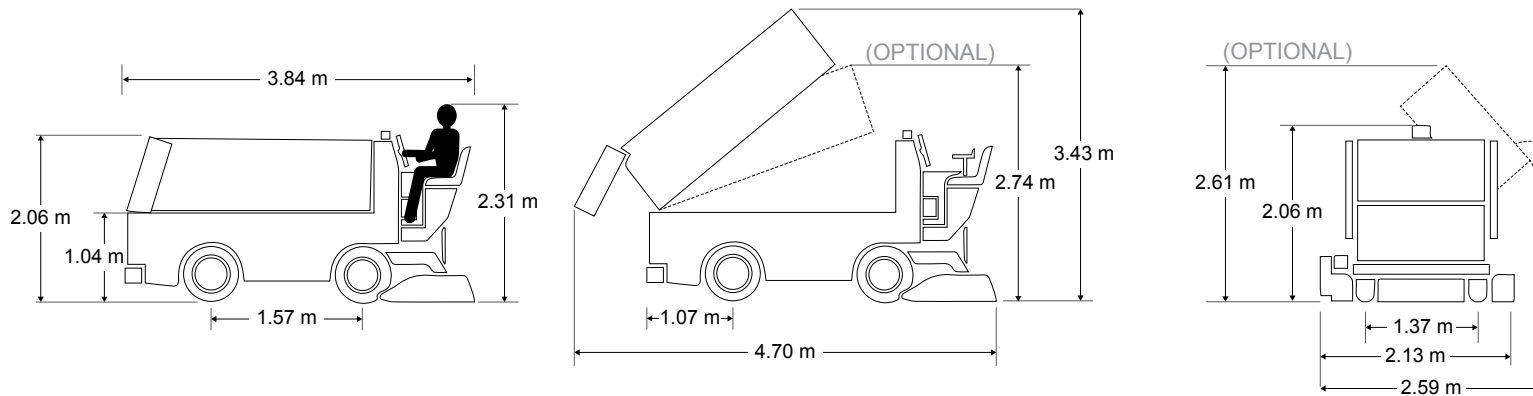


MODEL 450 ELECTRIC



CAPACITIES

Snow Tank

Actual Volume	2.66 m ³	94 cu. ft.
Compacted	3.17 m ³	122 cu. ft.

Water

Ice Making	627 L	166 gal.
Wash Water	218 L	58 gal.
Total	845 L	224 gal.

Hydraulic Oil	72 L	19 gal.
----------------------	------	---------

POWERTRAIN

Four-Wheel Drive

Battery Safe, High Power Density Lithium Iron Magnesium Phosphate (LiFeMgPO₄) Batteries.

Transmission Continuously variable hydrostatic pump and motor are axial-piston type.

Hydraulics Powerful single pump for the vertical and horizontal augers. Hydraulic down pressure for optimal resurfacing results.

Axles

Front	1950 kg	4300 lb
Rear	2177 kg	6400 lb

Brakes Full Hydrodynamic Braking with Rear Drum Brakes

DIMENSIONS

Overall

	L	W	H	L	W	H
Snow Tank Down	3.84 m	2.13 m	2.06 m	151 in.	84 in.	81 in.
Snow Tank Up	4.70 m	2.13 m	3.43 m	185 in.	84 in.	135 in.

Shaving Blade

	L	W	H	L	W	H
	195.6 cm	12.7 cm	1.27 cm	77 in.	5 in.	0.5 in.

Clearance

Minimum Operator Height Clearance	2.31 m	91 in.
Snow Pit Clearance	104.1 cm	41 in.

Conveyor System

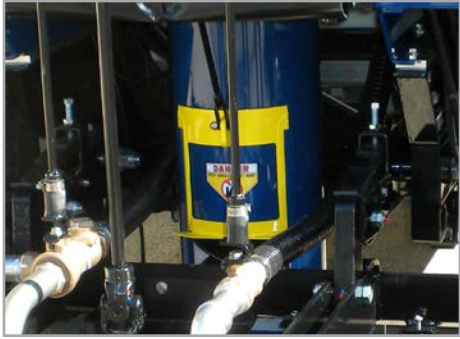
Horizontal Auger Diameter	25.4 cm	10 in.
Vertical Auger Diameter	25.4 cm	10 in.

Manueverability

Wheelbase	1.57 m	62 in.
Wheel Track	1.37 m	54 in.
Turning Radius at Conditioner	4.57 m	15 ft.

Weight

Empty	2660 kg	5860 lb
with Water	3502 kg	7720 lb



Automatic Snow Breaker

Eliminates the need for manual control of the snow breaker by the machine operator.

*optional equipment



Integrated Auger Washout System

Simplifies the vertical and horizontal auger washout task, from a single point on the conditioner.

*optional equipment



Ergonomic Seat

Designed with the operator in mind, our premium seat has optimal adjustability.

*optional equipment



STANDARD FEATURES

2 Year Warranty
 Chassis: Strong All Welded Steel Tubing
 Conditioner Safety Guards
 Digital Training and Reference Materials
 Familiar Automobile-Style Foot Controls
 Four-Wheel Drive
 Full Hydrodynamic Braking
 Guide Wheel
 Headlights and Tail Light (for Off Ice Travel)
 High Quality 10 and 25 Micron Filters
 High Speed Vertical Auger
 Hydraulic Oil Level Sight Gauge
 Load Sensing Motor Governor
 Motor: High Efficiency Permanent Magnet AC
 Motor Control: Sevcon Motor Control
 On-Dash Diagnostics
 Parking Brake
 Power Steering

Premium Polyester Felt Spreader Towel
 Replaceable Poly Conditioner Side Plates
 Rugged Dana Spicer® Axles
 Rust-Free Poly Ice Making Water Tank
 Snow Tank Safety Stand
 Spare Tire and Wheel
 Steering Wheel Spinner Knob
 Touch-Up Paint Kit
 Tungsten Carbide Studded Tires
 Under Seat Storage
 Wide Spectrum of Premium Automotive Paint Colors

OPTIONS

400 Micron Wash Water Deep Filter Bag
 Automatic Snow Breaker
 Back Up Alarm
 Battery and Motor Diagnostic Computer Interface Tool
 Blade Change System
 Chrome Wheels
 Conditioner: Galvanized
 Electric Water Level Gauge
 Fire Extinguisher
 Heated Ergonomic Comfort Design Seat

- Armrest
- Seatbelt

 IceCaps® Wheel Advertising System
 Integrated Auger Washout System
 Rotating Beacon Light
 Side Snow Tank Dump
 Snow Melting Kit
 Snow Tank Dump Height Restriction
 Snow Tank Light

Snow Tank Non-Stick Liner
 Stainless Steel Water Distribution Pipe
 Tire Wash System
 Wash Water to Ice Making Water Transfer
 Water Level Sight Gauge
 Zamboni Connect™ System