

## Capacities/Dimensions

### Snow Tank

Actual Volume	2.83 m <sup>3</sup>	(100 cu. ft.)
Compacted	3.54 m <sup>3</sup>	(125 cu. ft.)
Excess Water	416 L	(110 USG, 92 IMP)

### Water

Ice Making	727 L	(192 USG, 160 IMP)
Wash Water	273 L	( 72 USG, 60 IMP)
Total	1000 L	(264 USG, 220 IMP)

<b>Hydraulic Oil</b>	95 L	( 25 USG, 21 IMP)
----------------------	------	-------------------

### Conveyor System

Horizontal System	25.4 cm	(10 in.) dia.
Vertical Auger	25.4 cm	(10 in.) dia.

### Overall Length

Snow Tank Down	4.04 m	(159 in.)
Snow Tank Up	5.03 m	(198 in.)

### Overall Height

Snow Tank Down	2.20 m	( 87 in. )
Snow Tank Up	3.71 m	(146 in.)

<b>Overall Width</b>	2.13 m	( 84 in. )
----------------------	--------	------------

<b>Wheelbase</b>	1.95 m	( 77in. )
------------------	--------	-----------

<b>Wheel Track</b>	1.37 m	( 54 in. )
--------------------	--------	------------

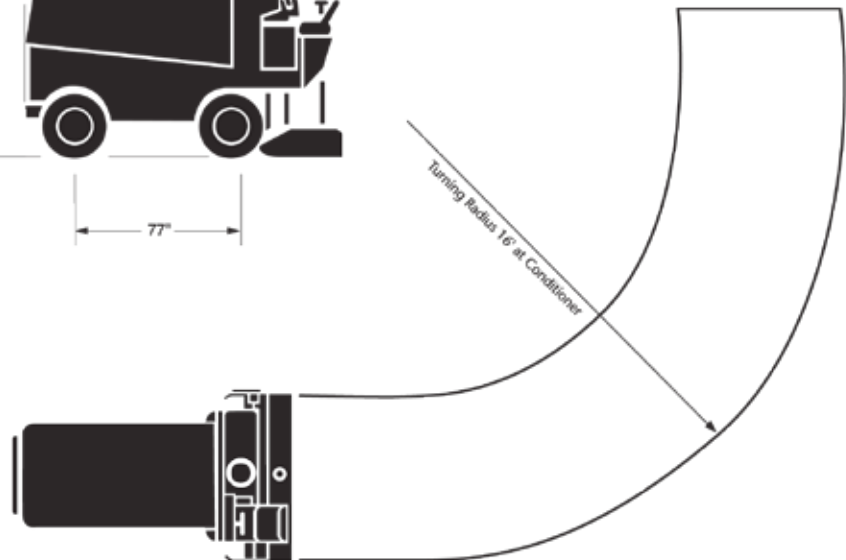
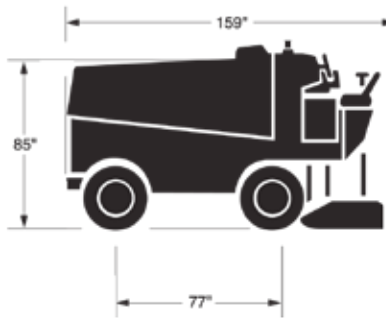
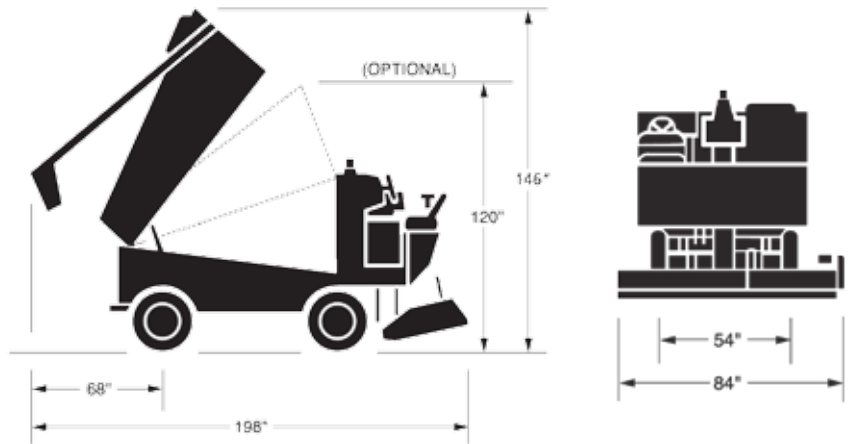
### Turning Radius

At Conditioner	4.86 m	( 16 ft. )
----------------	--------	------------

<b>Shaving Blade</b>	1.27 x 12.7 x 195.6 cm	
	1/2 in. x 5 in. x 77 in.	

### Vehicle Weight

Empty	3143 kg	( 6930 lb.)
w/Water	4240 kg	( 9530 lb.)



## Electric Controls Specifications / Features

Mitsubishi 2.4 litre. 59 HP @ 2500 RPM NET.

Powerful and efficient.

Load sensing electronic governor enables true "hands-free" operation by driver.

This brochure has been prepared only as a general guide for the customer. Every effort has been made to assure that the information is correct at the time of its printing. Some features described or shown may be optional at extra cost and prices, colors, materials, specifications and models are subject to change. Some options are required in combination with other options. ZAMBONI and the configuration of the Zamboni® ice resurfacing machine are registered trademarks of Frank J. Zamboni & Co., Inc. ©Zamboni 2016.

# ZAMBONI®

## Zamboni USA

Frank J. Zamboni & Co., Inc.  
15714 Colorado Ave., Paramount, CA 90723  
P 562.633.0751 F 562.633.9365  
zamboni.com

## Zamboni Canada/ Europe

Zamboni Company Ltd.  
38 Morton Ave. East, Box 1388, Brantford, ON, N3T 5T6  
P 519.758.5000 F 519.758.0500  
zamboni.ca

