

## Capacities/Dimensions

### Snow Tank

Actual Volume	2.83 m <sup>3</sup>	(100 cu. ft.)
Compacted	3.54 m <sup>3</sup>	(125 cu. ft.)
Excess Water	416 L	(110 USG, 92 IMP)

### Water

Ice Making	738 L	(195 USG, 162 IMP)
Wash Water	310 L	( 82 USG, 68 IMP)
Total	1048 L	(277 USG, 220 IMP)

### Hydraulic Oil

87 L	( 23 USG, 19 IMP)
------	-------------------

### Conveyor System

Horizontal System	25.4 cm	(10 in.) dia.
Vertical Auger	25.4 cm	(10 in.) dia.

### Overall Length

Snow Tank Down	4.04 m	(159 in.)
Snow Tank Up	5.03 m	(198 in.)

### Overall Height

Snow Tank Down	2.16 m	( 85 in. )
Snow Tank Up	3.91 m	(154 in.)

### Overall Width

2.13 m	( 84 in. )
--------	------------

### Wheelbase

1.95 m	( 77in. )
--------	-----------

### Wheel Track

1.37 m	( 54 in. )
--------	------------

### Turning Radius

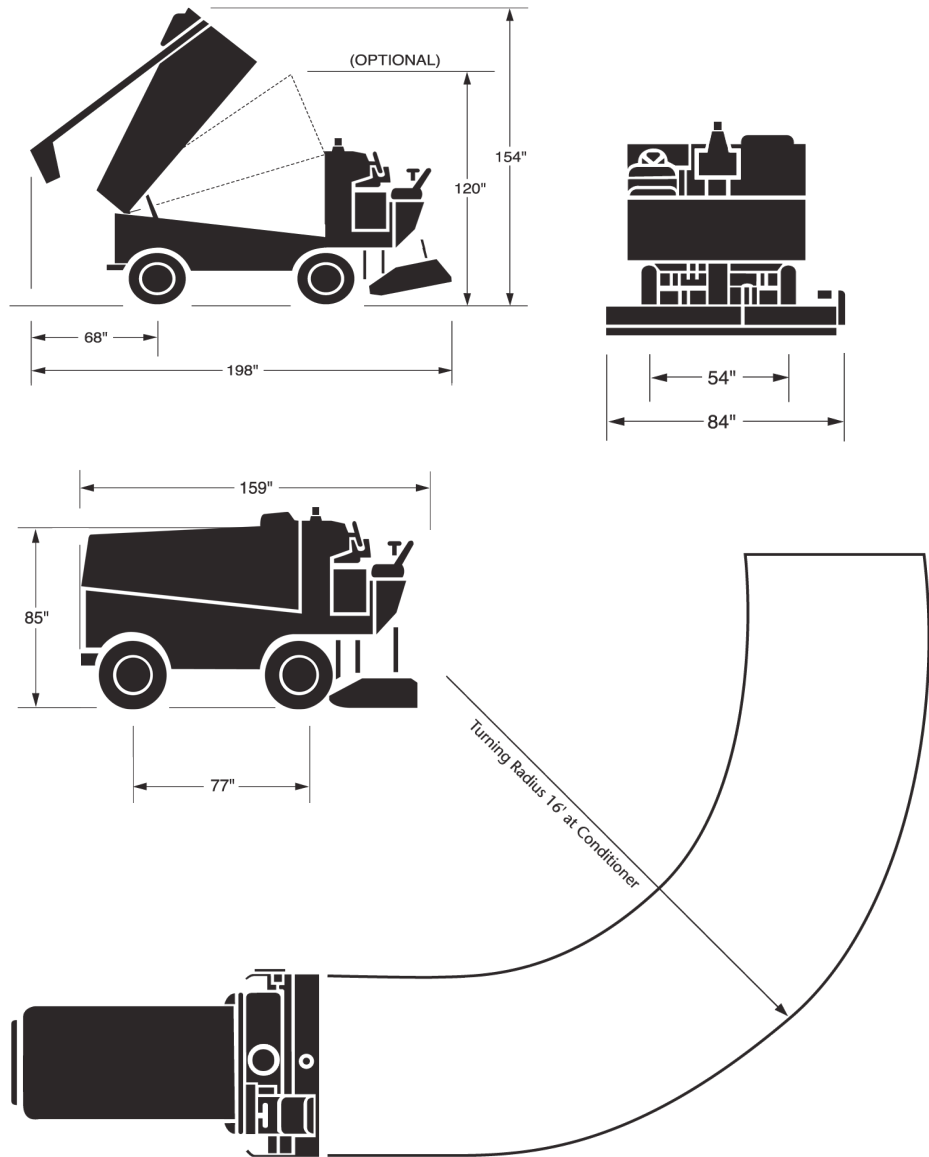
At Conditioner	4.86 m	( 16 ft. )
----------------	--------	------------

### Shaving Blade

1.27 x 12.7 x 195.6 cm
1/2 in. x 5 in. x 77 in.

### Vehicle Weight

Empty	4423 kg	( 9750 lb.)
w/Water	5148 kg	(11350 lb.)



## Electric Controls Specifications / Features

Dependable Sevcon PowerPak<sup>®</sup> mosfet controls have been proven in applications throughout the world.

“On-board” diagnostics provide:

- trouble shooting capability
- vehicle management functions
- motor brush wear sensors

# ZAMBONI<sup>®</sup>

### Zamboni USA

Frank J. Zamboni & Co., Inc.  
15714 Colorado Ave., Paramount, CA USA 90723-4211  
Phone (562) 633-0751 Fax (562) 633-9365

### Zamboni Canada / Europe

Zamboni Company Ltd.  
38 Morton Ave. East, Box 1388, Brantford, ON Canada N3T 5T6  
Phone (519) 758-5000 Fax (519) 758-0500

[www.zamboni.com](http://www.zamboni.com)

This brochure has been prepared only as a general guide for the customer. Every effort has been made to assure that the information is correct at the time of its printing. Some features described or shown may be optional at extra cost and prices, colors, materials, specifications and models are subject to change. Some options are required in combination with other options. ZAMBONI and the configuration of the Zamboni<sup>®</sup> ice resurfacing machine are registered trademarks of Frank J. Zamboni & Co., Inc. ©Zamboni 2014.

This brochure is a PDF internet version posted on our website for reference only. The Zamboni Company assumes no responsibility for its content or use. For product and sales information, please contact the Zamboni Company.

